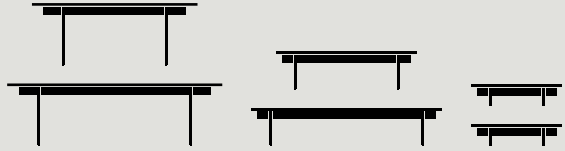


## Instructions

# Ita OS1-OS6 OEO Studio 2025



---

Please read these instructions carefully and retain them for future reference to ensure the product is used correctly. For your own safety, please study each step of this instruction manual first. &Tradition is not responsible for any faults or damage caused by not following these instructions correctly. Do not modify this product in any way. If you have any questions or comments, please do not hesitate to contact us by mail on: [info@andtradition.com](mailto:info@andtradition.com)

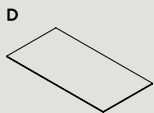
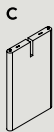
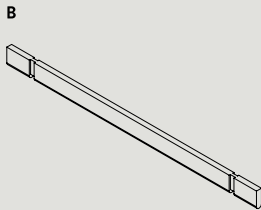
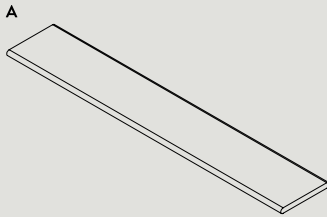
&Tradition®

# Ita OS1-OS6

## OEO Studio

### 2025

---



### Safety precautions

- A minimum of two people are required to assemble the products.
- Handle each component with care in order to not scratch the surface.
- The products are intended for indoor use only.
- Do not stand on the furniture.
- Keep products away from heat sources.
- Spilt liquids must be removed immediately as they may penetrate the surface treatment and cause damage.

### Contents

- A** Top
- B** Beam
- C** Legs
- D** Cable tray (only for table with cable management)
- E** Allen Key

### Cleaning instructions

#### Lacquered Wood

For daily care it is recommended to dust furniture with a soft, dry cloth. Lacquered wood can be cleaned with a soft cloth wrung in a mild solution of lukewarm water and a mild cleaning detergent. Always follow the wood grain and dry with a soft, dry cloth immediately after cleaning. Avoid use of abrasive cleaning agents or harsh cleaning tools that may cause damage to the surface.

#### Leather

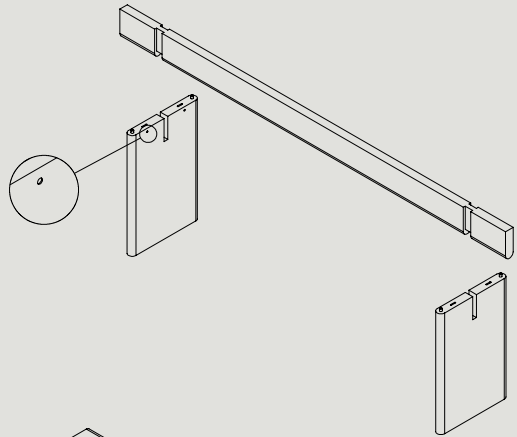
Vacuum regularly with a soft brush or wipe with a soft, dry cloth. Avoid use of abrasive cleaning agents or harsh cleaning tools that may cause damage to the leather. Treat the leather using a care cream two times a year. Apply the cream with a soft, lint-free cloth in circular motions from seam to seam, and let it dry completely before use.

**Please follow steps 1-3 to  
assemble the Bench  
170x30cm / 230x30cm**

**Step 1 / 3**

---

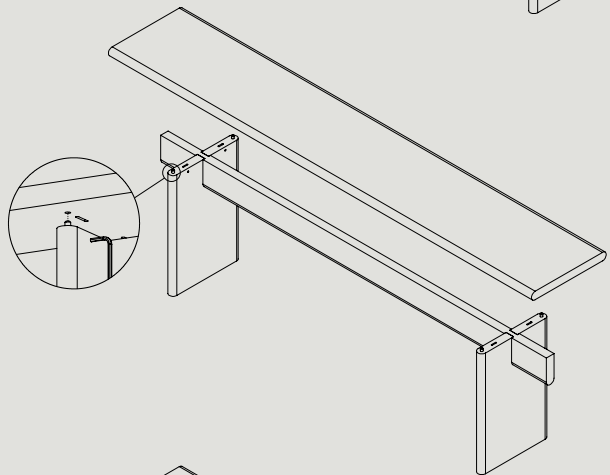
Place the legs (C) with the keyholes facing inward as shown. Insert the beam (B) into the grooves at the top of each leg to create a frame. This step requires gentle pressure by hand to secure the components in place.



**Step 2 / 3**

---

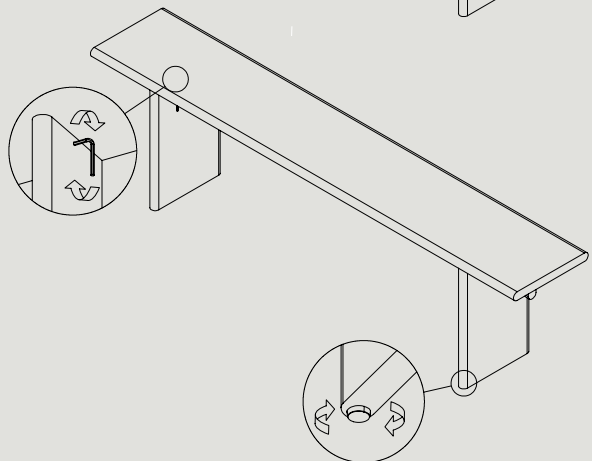
Place the top (A) on the legs, making sure the holes on the underside of the top correspond with the wooden dowels in the legs.



**Step 3 / 3**

---

Fasten the connectors between the top and the legs with the Allen key until secure. Make sure to lock all connectors. Adjust the gliders on the base of the legs to be level with the ground.



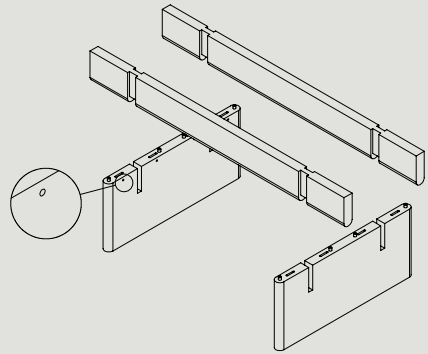
For disassembly, please reverse steps 1-3.

**Please follow steps 1-3 to  
assemble the Coffee Table  
60x110cm / 110x110cm**

**Step 1 / 3**

---

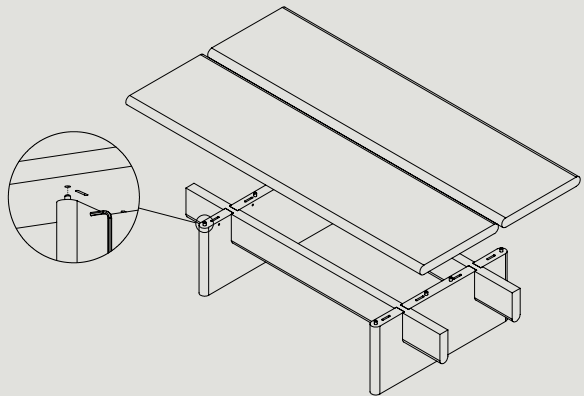
Place the legs (C) with the keyholes facing inward as shown. Insert the beams (B) into the grooves at the top of each leg to create a frame. This step requires gentle pressure by hand to secure the components in place.



**Step 2 / 3**

---

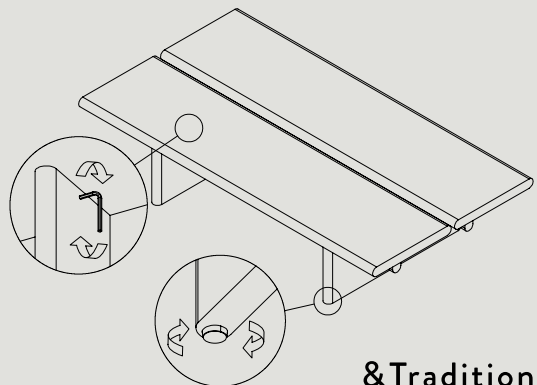
Place the top (A) on the legs, making sure the holes on the underside of the top correspond with the wooden dowels in the legs.



**Step 3 / 3**

---

Fasten the connectors between the top and the legs with the Allen key until secure. Make sure to lock all connectors. Adjust the gliders on the base of the legs to be level with the ground.



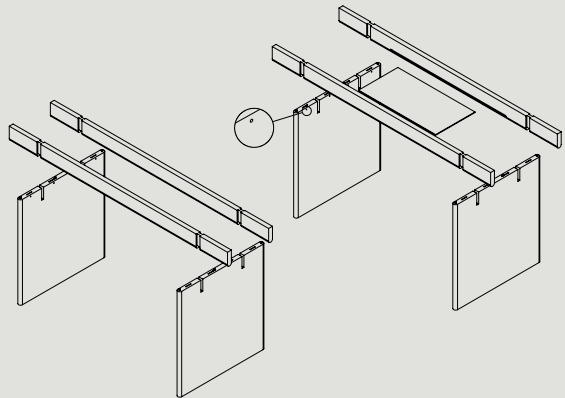
For disassembly, please reverse steps 1-3.

**Please follow steps 1-3 to  
assemble the Table  
200x95cm / 260 x 95cm**

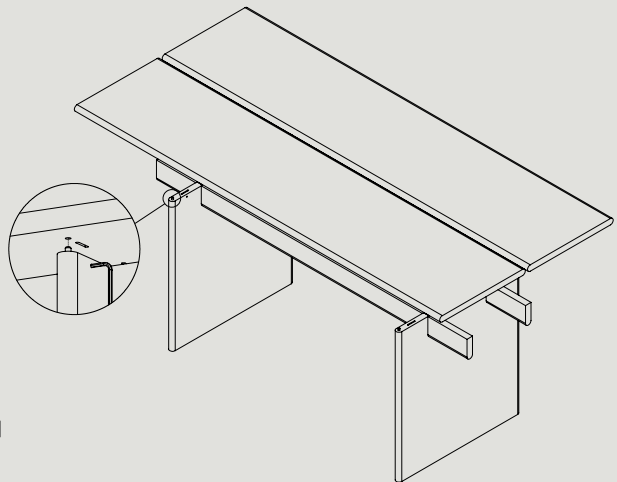
**Step 1 / 3**

---

Place the legs (C) with the keyholes facing inward as shown. Insert the beams (B) into the grooves at the top of each leg to create a frame. This step requires gentle pressure by hand to secure the components in place.



For versions with cable management, place the cable tray (D) in-between the beams before connecting them to the legs.



**Step 2 / 3**

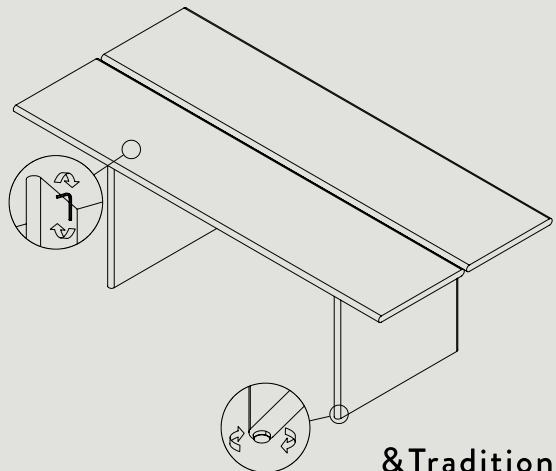
---

Place the top (A) on the legs, making sure the holes on the underside of the top correspond with the wooden dowels in the legs.

**Step 3 / 3**

---

Fasten the connectors between the top and the legs with the Allen key until secure. Make sure to lock all connectors. Adjust the gliders on the base of the legs to be level with the ground.



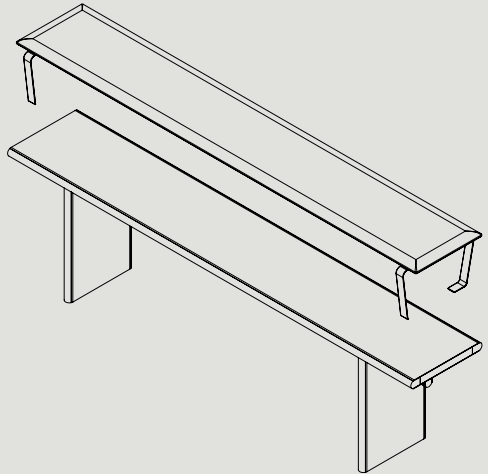
For disassembly, please reverse steps 1-3.

**Please follow steps 1-2 to  
attach the Cushion to the  
Bench**

**Step 1 / 2**

---

Place the cushion on the bench  
with the ties facing down as  
shown.



**Step 2 / 2**

---

On the underside of the  
bench, connect the ties to  
secure the cushion in place as  
per the illustration.

